

## **ChenYang Magnetic Assemblies**

### **Holding Magnets, Magnetic Systems**

**Copyright© 2006, ChenYang Technologies GmbH & Co. KG**

All rights reserved. No part of this catalogue may be reproduced, stored in a retrieval system or transmitted in any form or by any means, electronic, mechanical, photocopying, recording or otherwise, without the prior permission of the copyright holder.

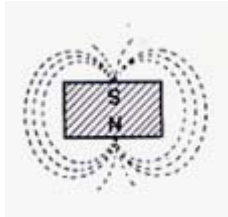
**Contact Address:**

Markt Schwabener Str. 8  
D-85464 Finsing  
Germany

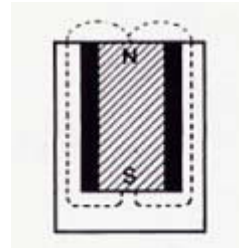
Tel: +49 (0)8121-2574100  
Fax: +49 (0)8121-2574101  
Email: [info@cy-magnetics.com](mailto:info@cy-magnetics.com)  
<http://www.cy-magnetics.com>



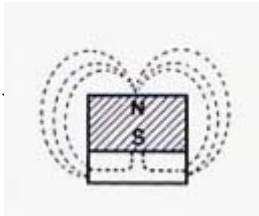
Different Holding Magnets/assemblies are suitable for many applications to all industries and engineering. These magnets are made by setting anisotropic ceramic, Alnico, NdFeB and SmCo magnet in mild steel housing, and are available in many different forms and shapes, which are finished in white, black, grey, Nickel or Zinc coating. Magnetic assemblies are up to 32 times stronger than magnets by themselves.



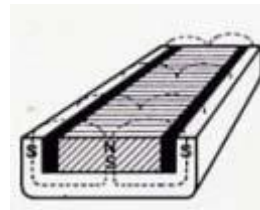
Permanent magnet  
Holding force factor 1



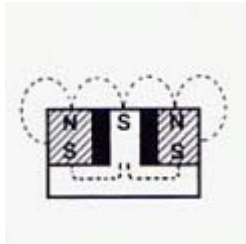
Alnico bar in steel pot  
(pot magnet)  
Holding force factor  
7.5



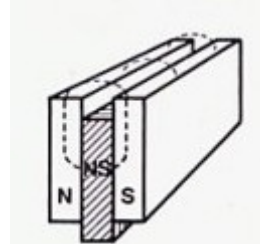
With steel backing plate  
Holding force factor 1.3



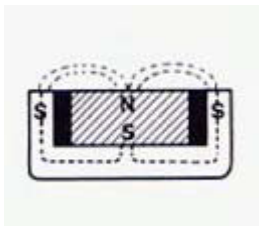
Magnetic block in steel  
(U-profile)  
Holding force factor  
5.5



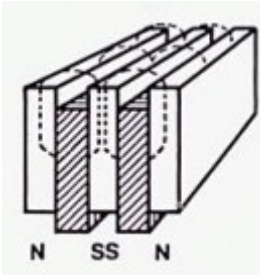
With steel backing plate  
and center pole  
Holding force factor 4.5



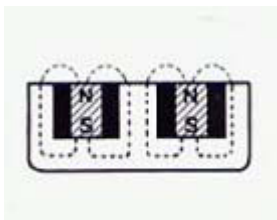
Magnetic block  
between two steel  
plates (sandwich-  
system)  
Holding force factor 18



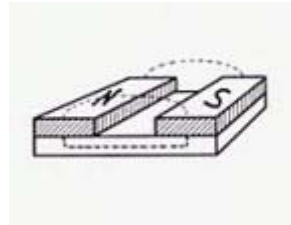
Disc magnet in steel pot  
(adhesive magnet disc)  
Holding force factor 6



Adhesive battery of  
several sandwich-  
systems (types  
50...L200)  
Factor 18x system  
number



Ring magnet in steel pot  
and center pole  
Holding force factor 7



Two magnetic blocks,  
mounted counter poles  
on steel backing plate.  
Far reaching stray field  
as needed for catching  
steel





## NdFeB Assemblies

	<p><b><u>CY-NA Series</u></b> NdFeB, Plastics Injected, Nickel Plated</p>		<p><b><u>CY-NB Series</u></b> NdFeB, Plastics Injected, Zinc Plated</p>
	<p><b><u>CY-NC Series</u></b> NdFeB, Plastics Injected, Nickel Plated</p>		<p><b><u>CY-ND Series</u></b> NdFeB, Plastics Injected, Nickel Plated</p>
	<p><b><u>CY-NE Series</u></b> NdFeB, Plastics Injected, Nickel Plated</p>		<p><b><u>CY-NF Series</u></b> NdFeB, Plastics Injected, Zinc Plated</p>
	<p><b><u>CY-CN Series</u></b> NdFeB, Plastics Injected, Zinc Plated</p>		<p><b><u>CY-TN Series</u></b> NdFeB, Plastics Injected, Zinc Plated</p>

## Hard Ferrite Assemblies

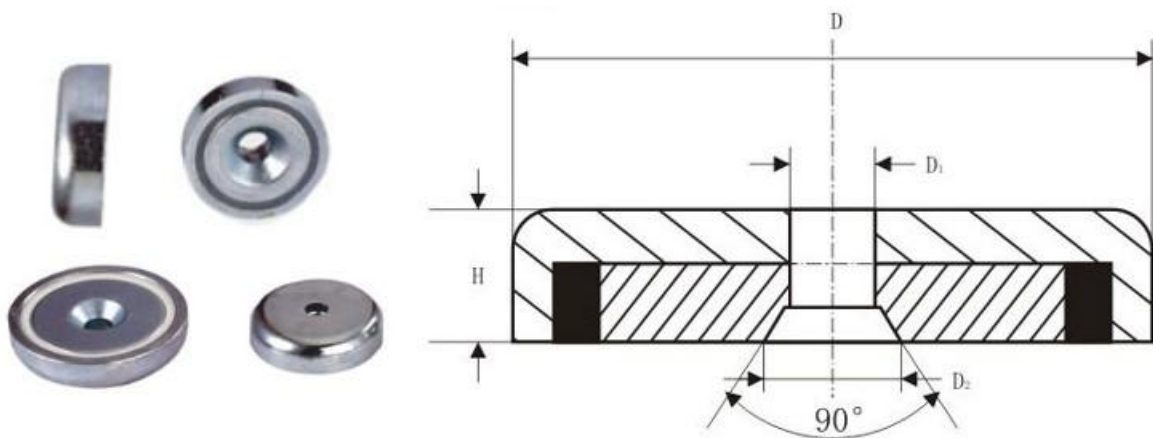
	<p><b><u>CY-F/R Series</u></b> Ferrite Plastics Injected Zinc Plated</p>		<p><b><u>CY-RB Series</u></b> Hard ferrite, Chrome and Zinc Plated</p>
	<p><b><u>CY-TK Series</u></b> Ferrite, With Hook, Plastics Injected, White Painted</p>		<p><b><u>CY-T/TM Series</u></b> Hard Ferrite, Plastics Injected, Zinc Plated</p>
	<p><b><u>CY-TD Series</u></b> Ferrite, No Hook, Plastics Injected, Zinc Plated</p>		<p><b><u>CY-65C Series</u></b> Hard Ferrite, Zinc Plated</p>

## Alnico Assemblies

	<p><b><u>CY-BM Series</u></b> Alnico with thread, brass ring, red painted</p>		<p><b><u>CY-A Series</u></b> Alnico, Brass Ring, Red Painted</p>
	<p><b><u>CY-AM Series</u></b> Alnico, With Thread, Brass Ring, Red Painted</p>		<p><b><u>CY-AB Series</u></b> Alnico, With Bolt, Brass Ring, Red Painted</p>

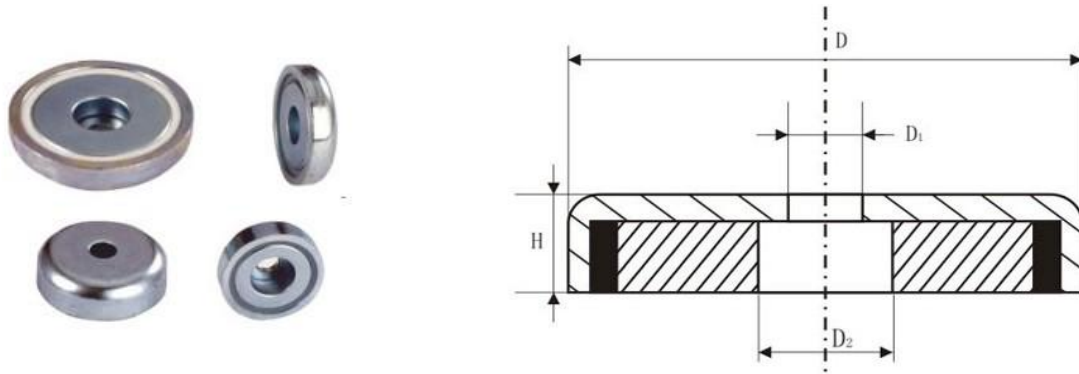
## NdFeB Assemblies

### CY-NA Series, NdFeB, Plastics Injected, Nickel Plated



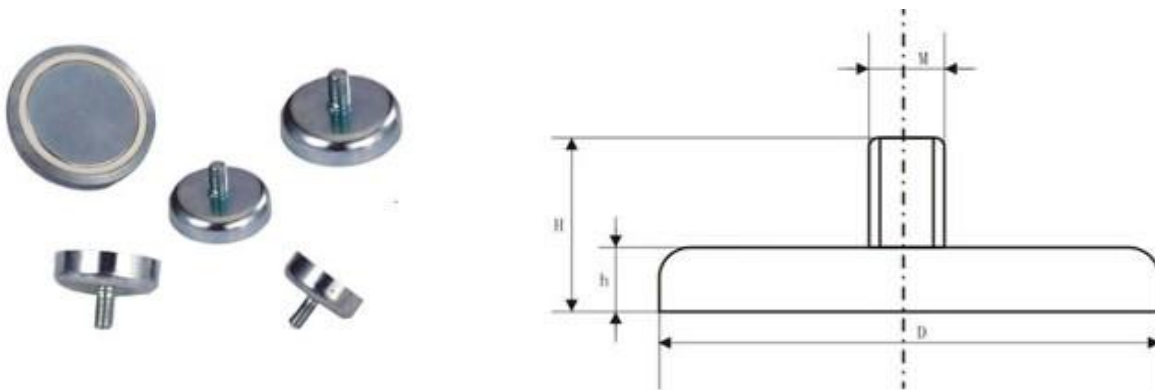
Type	Dimensions (mm)				Weight (g)	Adhesive Force (kg)
	ØD	Ød1	Ød2	H		
CY-NA16	16	3.5	6.5	5	7	4.5
CY-NA20	20	4.5	8.6	7	13	6
CY-NA25	25	5.5	10.4	8	23	14
CY-NA32	32	5.5	10.4	8	39	25
CY-NA36	36	6.5	12	9	52	29
CY-NA42	42	6.5	12	9	76	37
CY-NA48	48	8.5	16	11.5	120	68
CY-NA60	60	8.5	16	15	252	112
CY-NA75	75	10.5	19	18	488	162

## CY-NB Series, NdFeB, Plastics Injected, Nickel Plated



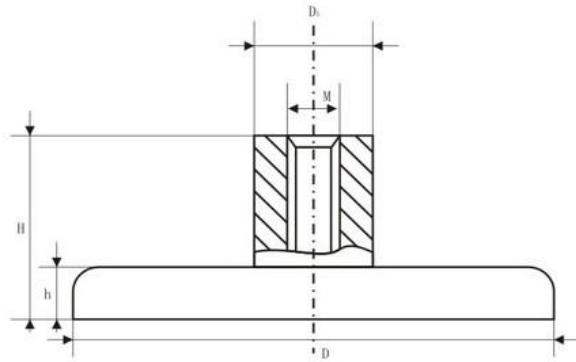
Type	Dimensions (mm)				Weight (g)	Adhesive Force (kg)
	ØD	Ød1	Ød2	H		
CY-NB16	16	3.5	6.5	5	6	4.0
CY-NB20	20	4.5	8	7	12	6
CY-NB25	25	5.5	9	8	23	14
CY-NB32	32	5.5	9	8	36	23
CY-NB36	36	6.5	11	9	50	29
CY-NB42	42	6.5	11	9	73	32
CY-NB48	48	8.5	15	11.5	114	63
CY-NB60	60	8.5	15	15	240	95
CY-NB75	75	10.5	18	18	471	155

## CY-NC Series, NdFeB, Plastics Injected, Nickel Plated



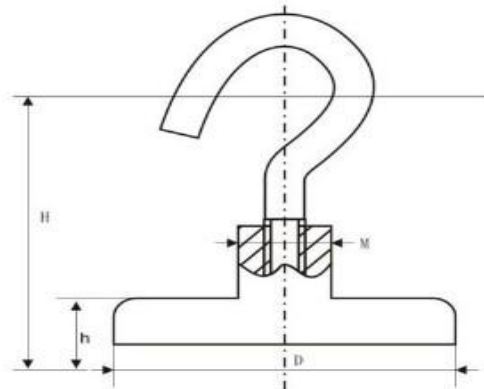
Type	Dimensions (mm)				Weight (g)	Adhesive Force (kg)
	ØD	M	H	h		
CY-NC10	10	3	12	5	3.5	2.2
CY-NC12	12	3	13	5	5	3.2
CY-NC16	16	4	13	5	7.5	5.5
CY-NC20	20	4	15	7	16	9
CY-NC25	25	5	17	8	30	22
CY-NC32	32	6	18	8	45	34
CY-NC36	36	6	18	8	57	41
CY-NC42	42	8	20	9	84	68
CY-NC48	48	8	24	11.5	130	81
CY-NC60	60	8	30	15	254	113
CY-NC75	75	10	34	15	550	164

## CY-ND Series, NdFeB, Plastics Injected, Nickel Plated



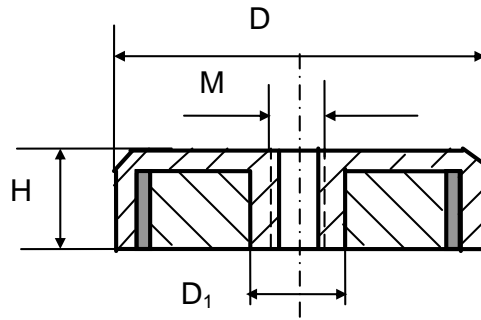
Type	Dimensions (mm)					Weight (g)	Adhesive Force (kg)
	ØD	ØD <sub>1</sub>	M	H	h		
CY-ND10	10	5.5	3	12	5	4.2	2.2
CY-ND12	12	6	3	13	5	5.6	3.2
CY-ND16	16	6	4	13	5	8	5.5
CY-ND20	20	8	4	15	7	17	9
CY-ND25	25	10	5	17	8	32	22
CY-ND32	32	10	6	18	8	47	34
CY-ND36	36	10	6	18	8	59	41
CY-ND42	42	12	6	20	9	87	68
CY-ND48	48	12	8	24	11.5	132	81
CY-ND60	60	14	8	30	15	270	113
CY-ND75	75	16	10	34	18	552	164

## CY-NE Series, NdFeB, Plastics Injected, Nickel Plated



Type	Dimensions (mm)				Weight (g)	Adhesive Force (kg)
	ØD	M	H	h		
CY-NE16	16	4	14	5	11	5.5
CY-NE20	20	4	14	7	21	9
CY-NE25	25	5	15	8	37	22
CY-NE32	32	6	16	8	56	34
CY-NE36	36	6	16	8	68	41
CY-NE42	42	6	16	9	97	68
CY-NE48	48	8	23	11.5	154	81
CY-NE60	60	8	23	15	282	113
CY-NE75	75	10	25	18	560	164

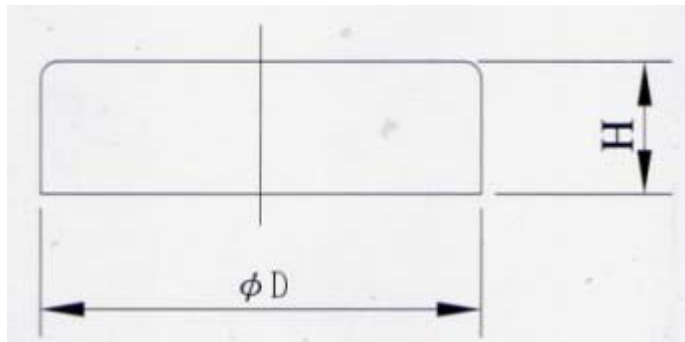
## CY-NF Series, NdFeB, Plastics Injected, Zinc Plated



Type	Dimensions (mm)				Weight (g)	Adhesive Force (kg)
	ØD	M	ØD <sub>1</sub>	H		
CY-NF16	16	4	7	6	8	4.0
CY-NF20	20	4	8	7	15	6
CY-NF25	25	5	9	8	27	14
CY-NF32	32	6	9	8	44	23
CY-NF36	36	6	11	9	63	29
CY-NF42	42	6	11	9	86	32
CY-NF48	48	8	15	11.5	144	63
CY-NF60	60	8	15	15	295	95
CY-NF75	75	10	18	18	454	155

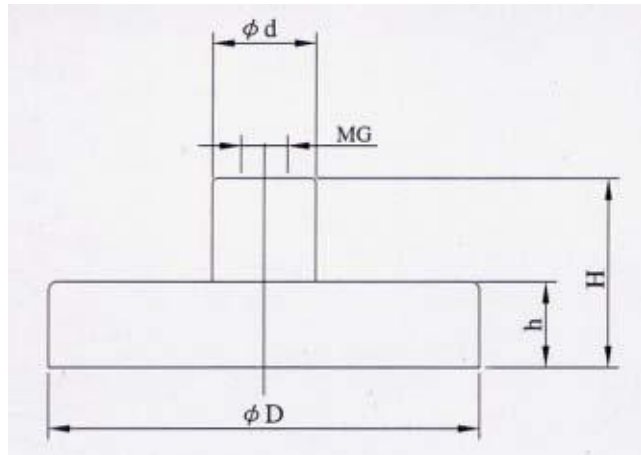
## CY-CN Series, NdFeB Plastics Injected, Zinc Plated

### CY-CN Series with NdFeB



Type	Dimensions (mm)		Weight (g)	Adhesive Force (N)
	ØD	H		
CY-CN6	6	4.5	2	5
CY-CN8	8	4.5	2	13
CY-CN10	10	4.5	3	25
CY-CN13	13	4.5	5	60
CY-CN16	16	4.5	7	95
CY-CN20	20	6	15	140
CY-CN25	25	7	22	200
CY-CN32	32	7	40	350

## CY-TN Series, NdFeB Plastics Injected, Zinc Plated

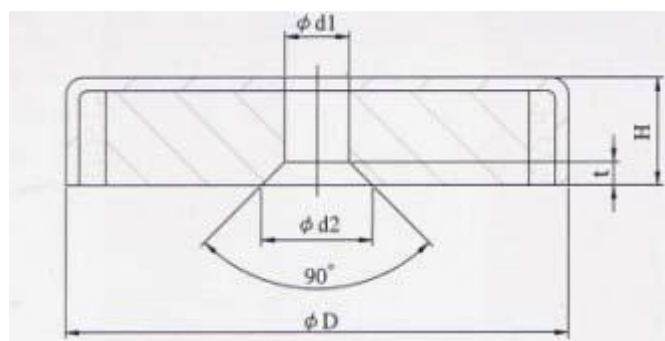


Type	Dimensions (mm)					Weight (g)	Adhesive Force (N)
	ØD	Ød	H	h	MG		
CY-TN6	6	6	11.5	4.5	M3	2	5
CY-TN8	8	6	11.5	4.5	M3	2	13
CY-TN10	10	6	11.5	4.5	M3	3	25
CY-TN13	13	6	11.5	4.5	M3	5	60
CY-TN16	16	6	11.5	4.5	M4	8	95
CY-TN20	20	8	13	6	M4	16	140
CY-TN25	25	8	14	7	M4	25	220
CY-TN32	32	10	15.5	7	M5	48	350

## Hard Ferrite Assemblies

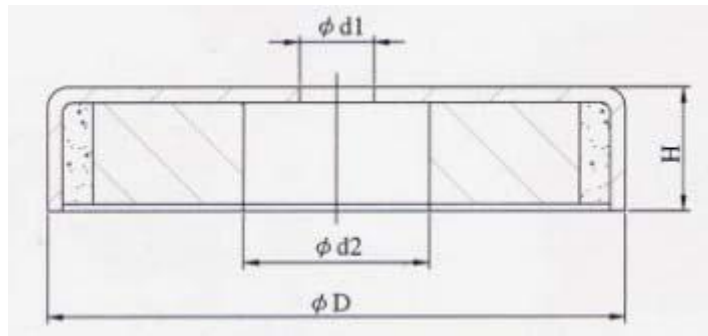
### CY-F and CY-R Series, Ferrite, Plastics Injected, Zinc Plated

**CY-F Series**



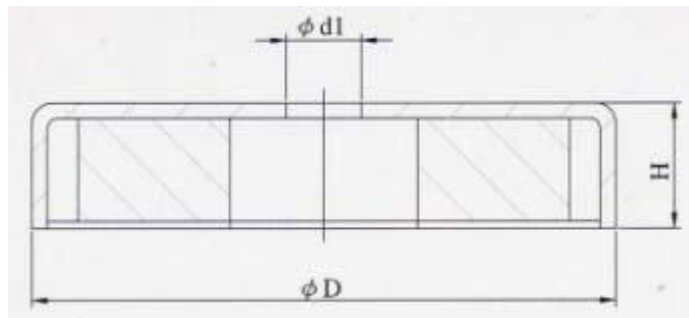
Type	Dimensions (mm)					Weight (g)	Adhesive Force (N)
	ØD	H	Ød1	Ød2	t		
CY-F16	16	4.5	3.5	6.7	1.6	4.0	10
CY-F20	20	6	4.2	8.6	2.1	9	27
CY-F25	25	7	5.5	10.4	2.5	16	36
CY-F32	32	7	5.5	10.4	2.5	28	72
CY-F40	40	8	5.5	10.4	2.5	54	90

### CY-R Series



Type	Dimensions (mm)				Weight (g)	Adhesive Force (N)
	ØD	H	Ød1	Ød2		
CY-R40	40	8	8.5	18	55	90
CY-R50	50	10	8.5	22	90	180
CY-R63	63	14	6.5	24	195	290
CY-R80	80	18	6.5	11.5	480	540
CY-R100	100	22	10.5	34	820	680

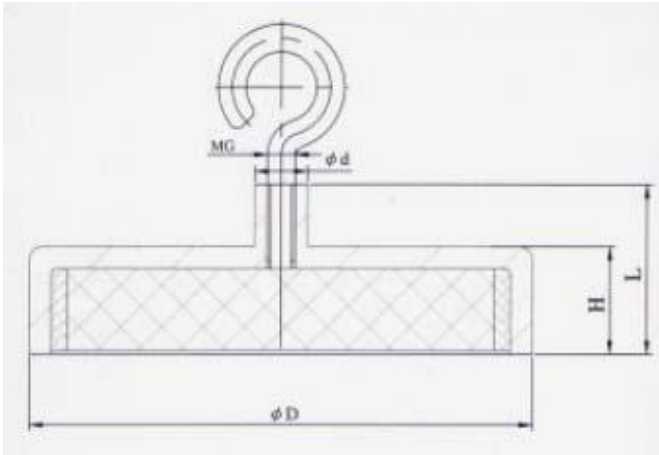
### CY-RB Series, Ferrite, Chrome and Zinc Plated



Type	Dimensions (mm)			Weight (g)	Adhesive Force (lbs)
	ØD	H	Ød		
CY-RB20	30.61	4.78	3.18	16	3
CY-RB40	36.07	6.86	4.75	34	12
CY-RB50	51.56	7.62	4.87	65	25
CY-RB60	60.32	8.89	6.86	120	40
CY-RB70	66.68	9.53	7.11	150	65
CY-RB75	71.42	9.4	6.86	175	68
CY-RB80	81.28	10.67	7.11	240	95
CY-RB85	96.27	12.96	9.65	420	110
CY-RB90	124.46	12.37	12.7	700	180

**CY-TK Series, Ferrite, With Hook, Plastics Injected, White Painted**

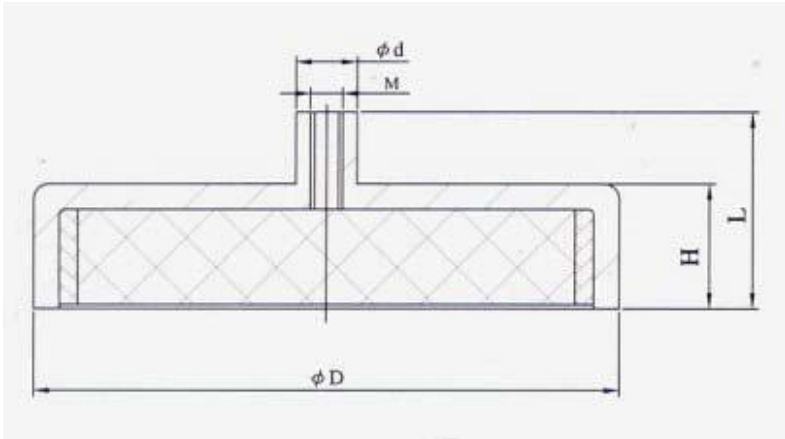
**CY-TK Series**



Type	Dimensions (mm)					Weight (g)	Adhesive Force (N)
	$\phi D$	H	L	$\phi d$	MG		
CY-TK16	16	4.5	11.5	6	M3	6	15
CY-TK20	20	6	13	6	M3	12	22
CY-TK25	25	7	15	8	M4	24	40
CY-TK32	32	7	15	8	M4	34	80
CY-TK36	36	7.7	16	8	M4	48	100
CY-TK40	40	8	16.5	8	M4	60	125
CY-TK40B	40	7.7	18	10	M5	60	125
CY-TK47	47	9	17	8	M4	90	180
CY-TK50	50	10	18.5	8	M4	110	220
CY-TK50B	50	10	22	12	M6	110	220
CY-TK57	57	10.5	18.5	8	M4	150	280
CY-TK63	63	14	30	15	M8	242	350
CY-TK80	80	18	34	20	M10	522	600
CY-TK100	100	22	43	22	M12	940	900

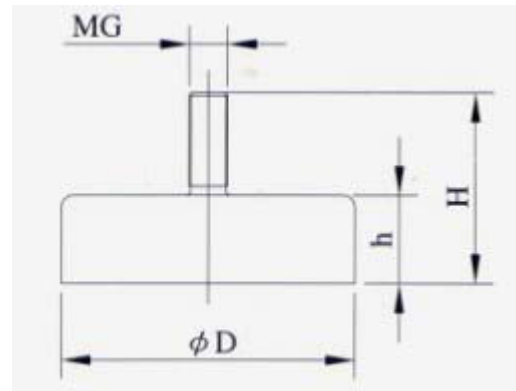
**CY-T and CY-TM Series, Ferrite, Plastics Injected, Zinc Plated**

**CY-T Series**



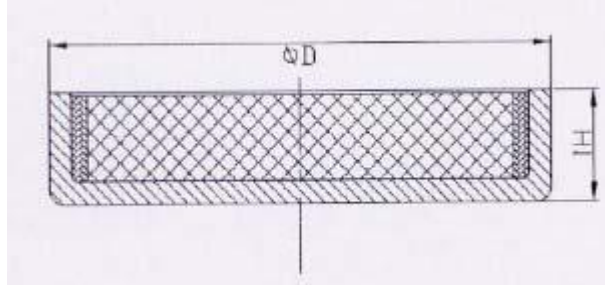
Type	Dimensions (mm)					Weight (g)	Adhesive Force (N)
	ØD	H	L	Ød	MG		
CY-T16	16	4.5	11.5	6	M3	6	15
CY-T20	20	6	13	6	M3	11	22
CY-T25	25	7	15	8	M4	22	40
CY-T32	32	7	15	8	M4	32	80
CY-T36	36	7.7	16	8	M4	46	100
CY-T40	40	8	16.5	8	M4	58	125
CY-T40B	40	8	18	10	M5	58	125
CY-T47	47	9	17	8	M4	88	180
CY-T50	50	10	18.5	8	M4	108	220
CY-T50B	50	10	22	12	M6	108	220
CY-T57	57	10.5	18.5	8	M4	148	280
CY-T63	63	14	30	15	M8	240	350
CY-T80	80	18	34	20	M10	520	600
CY-T100	100	22	43	22	M12	940	900

### CY-TM Series



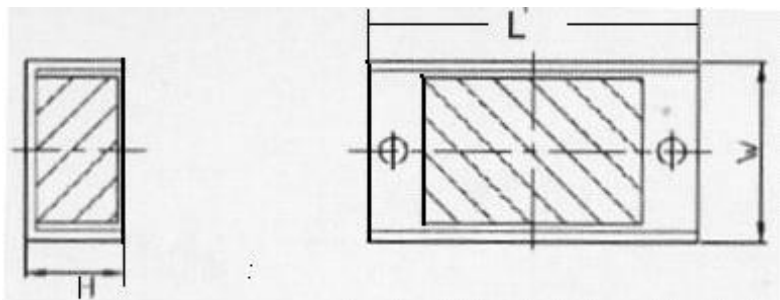
Type	Dimensions (mm)				Weight (g)	Adhesive Force (N)
	ØD	H	h	MG		
CY-TM10	10	11.5	4.5	M3	3	4
CY-TM13	13	11.5	4.5	M3	5	10
CY-TM16	16	11.5	4.5	M3	6	15
CY-TM20	20	13	6	M3	11	22
CY-TM25	25	15	7	M4	22	40
CY-TM32	32	15	7	M4	32	80

## CY-TD Series, No Hook, Ferrite, Plastics Injected, Zinc Plated



Type	Dimensions (mm)		Weight (g)	Adhesive Force (N)
	ØD	H		
CY-TD10	10	4.5	2	3
CY-TD13	13	4.5	3	5
CY-TD16	16	4.8	5	15
CY-TD20	20	6	10	22
CY-TD25	25	7	19	40
CY-TD32	32	7	30	80
CY-TD36	36	7.7	40	100
CY-TD40	40	8	55	125
CY-TD47	47	9	80	180
CY-TD50	50	10	100	220
CY-TD57	57	10.5	140	220
CY-TD63	63	14	230	350
CY-TD80	80	18	485	600

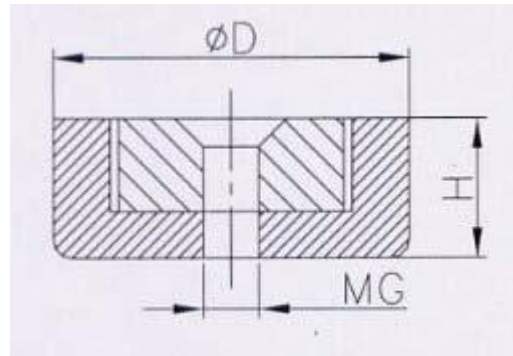
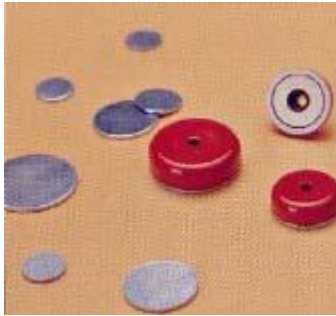
## CY-65C Series, Ferrite, Zinc Plated



Type	Dimensions (mm)			Weight (g)	Holding Force (lbs)
	L(mm)	W(mm)	H (mm)		
CY-65C01	68.58	26.42	11.63	60	25
CY-65C02	76.20	38.10	11.60	152	60
CY-65C03	200	26.92	12.14	240	200

## Alnico Assemblies

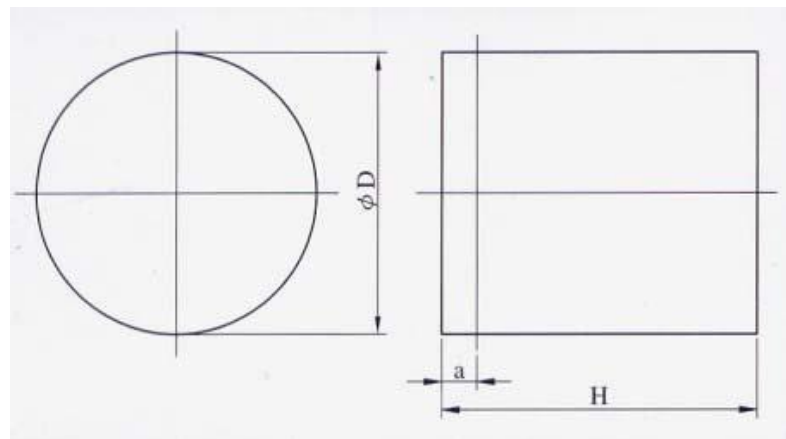
### CY-BM Series, Alnico, with thread, Brass Ring, Red Painted



Type	Dimensions (mm)			Weight (g)	Holding Force(N)
	$\phi D$ (mm)	MG	H(mm)		
CY-BM6	19.1	3.7	7.5	17	30
CY-BM7	28.5	4.8	8.5	43	40
CY-BM8	38.1	4.8	10.4	94	100

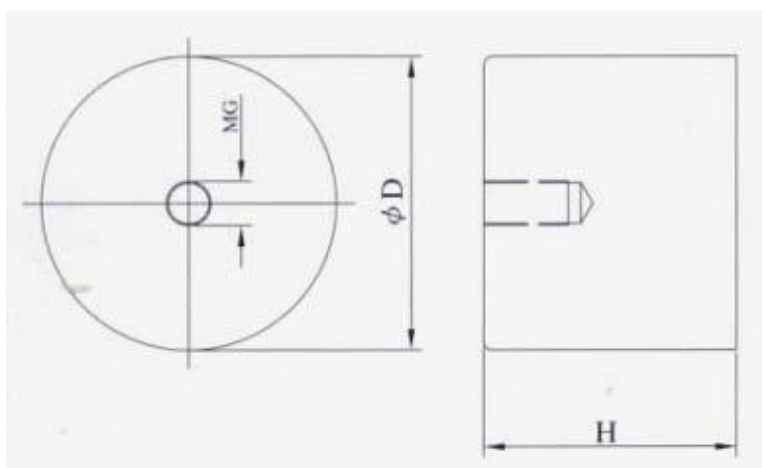
### CY-A Series, Alnico, Brass Ring, Red Painted

#### CY-A Series



Type	Dimensions (mm)			Weight (g)	Adhesive Force (N)
	$\phi D$	H	a		
CY-A6	6	20	12	4	1.5
CY-A8	8	20	11	7	3.5
CY-A10	10	20	10	10	7
CY-A13	13	20	8	19	10
CY-A16	16	20	6	29	18
CY-A20	20	25	6	57	42
CY-A25	25	35	15	140	96
CY-A32	32	40	10	240	180
CY-A40	40	50	10	500	240
CY-A50	50	60	12	900	420
CY-A63	63	65	10	1480	660

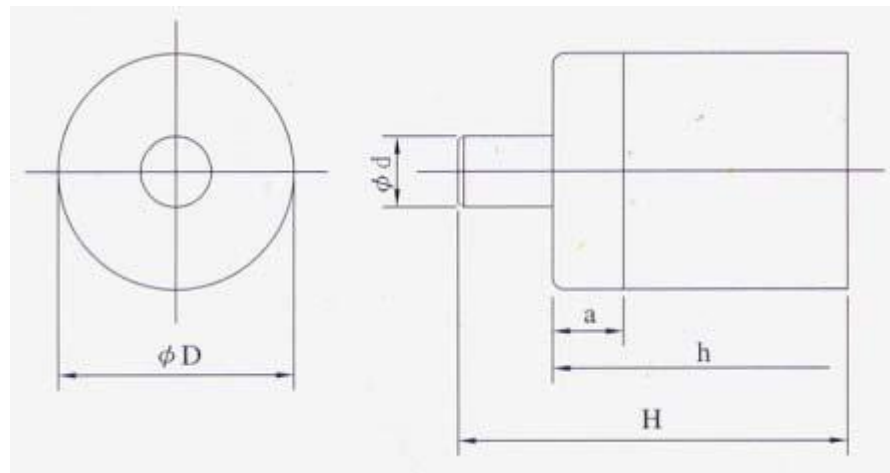
## CY-AM Series, Alnico, with Thread, Brass Ring, Red Painted



Type	Dimensions (mm)			Weight (g)	Adhesive Force (N)
	ØD	H	MG		
CY-AM6	6	20	M3x5	3.5	1.5
CY-AM8	8	20	M3x5	6.5	3.5
CY-AM10	10	20	M4x7	9.5	7
CY-AM13	13	20	M4x7	18	10
CY-AM16	16	20	M4x5	27.5	18
CY-AM20	20	25	M6x7	55	42
CY-AM25	25	35	M6x9	140	96
CY-AM32	32	40	M8x9	240	180

Type	Dimensions (mm)			Weight (g)	Adhesive Force (N)
	ØD	MG	H		
CY-A1716	17.5	M6	16	29	22
CY-A2019	20.6	M6	19	48	35
CY-A2725	27	M6	25	108	65
CY-A3530	35	M6	30	220	142
CY-A6543	65	M12	43	1080	400

## CY-AB Series, Alnico, With Bolt, Brass Ring, Red Painted



Type	Dimensions (mm)					Weight (g)	Adhesive Force (N)
	$\varnothing D$	$\varnothing d$	H	h	a		
CY-AB6	6	3	28	20	12	4	1.5
CY-AB8	8	3	28	20	10	7	3.5
CY-AB10	10	4	28	20	10	12	7
CY-AB13	13	4	28	20	8	20	10
CY-AB16	16	5	28	20	6	30	18
CY-AB20	20	6	33	25	6	60	42
CY-AB25	25	8	45	35	15	140	96
CY-AB32	32	10	50	40	10	250	180
CY-AB40	40	15	70	50	10	520	240
CY-AB50	50	18	85	60	12	925	420
CY-AB63	63	20	95	65	10	1580	660