

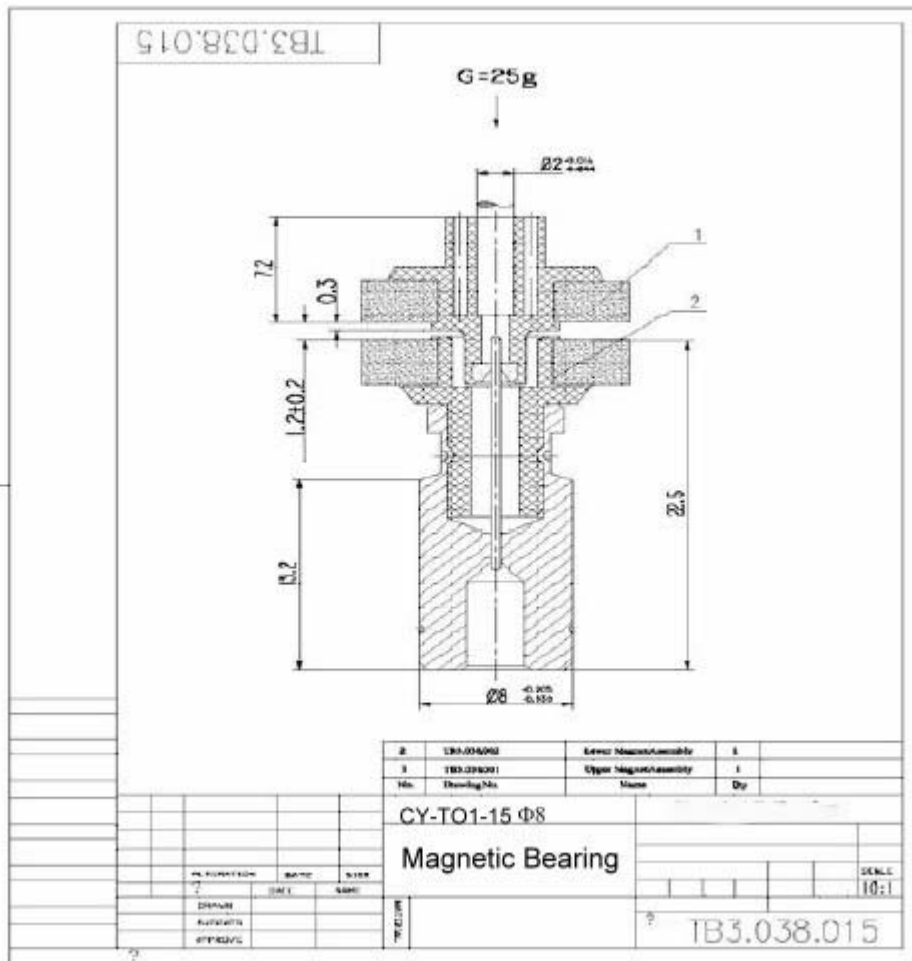
Magnetic Bearings – Open Type



Model: CY-TO1-15 Ø8/M8*0.5MM

Type	Open
Magnet material	SmCo
Rotor weight	20-65g
Air gap under loading	0.8 ± 0.2mm
Connection with frame	Ø8/M8*0.5

Assembly Drawing: TB3.038.015



Packing

Inner packing: plastic case and carton
 Outer packing: wooden box